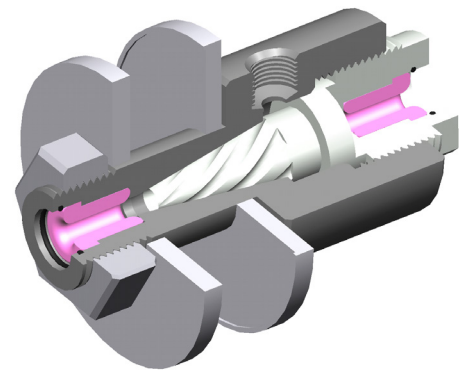




AIR WIPES TYPE AW-C for Wire, Cable & Stranded Wire

▶ Type AW-C

7 different versions for
wire diameter from 0.5 - 17 mm



▶ Developed for the Wire Industry

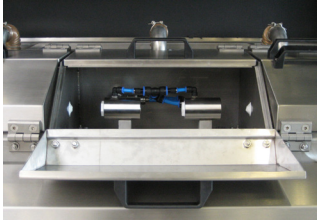
Optimal drying

Stainless steel body

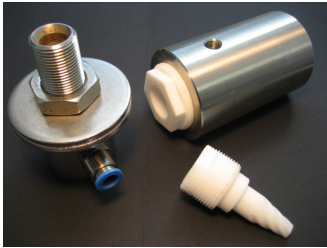
Controlled air flow

- Developed for the wire industry - efficient drying even at high speeds & low air consumption
- Stainless steel base body - robust, easy to install & compact
- Dismountable - wear parts can be replaced individually
- Outstanding drying results, economical air consumption & quiet operation

BRING THE WIRE INTO THE DRY!



For the drying of wire, strand, cable and small tubes GEO developed a stainless steel air wipe, which guarantees optimal drying even at high speed and rough handling. The stainless steel body of the nozzle is resistant to aggressive agents, unlike the usual plastic jets. It features protective ceramic inserts for bare wire applications and can be completely dismantled. Worn or broken pieces can be replaced. The compact design fits easily into compact process lines.



A surface is dried by an airstream, which is lead through a helical teflon body inside the nozzle. The airstream is accelerated, pushed into rotation and blown against the material running direction. This causes an enormous shear impulse on the interface between the profile surface and the water. It exceeds the interfacial energy of the adhering fluid.

Both the shear impulse and the additional acceleration of the airstream by the injection effect leads to best drying results; with low air consumption and high speed processing. Alternative methods are clearly outclassed.

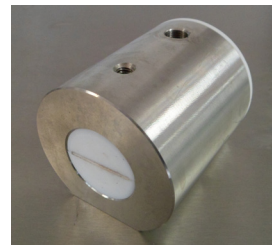
The air wipe model AW-C is available in seven sizes to achieve optimal drying results at different wire diameters.

THE RIGHT CHOICE

Product	Inner Diameter	Wire Diameter*
AW04C	4,0 mm	0,0 – 2,0 mm
AW05C	5,0 mm	1,5 – 3,0 mm
AW06C	6,0 mm	2,5 – 4,0 mm
AW08C	8,0 mm	4,0 – 6,0 mm
AW10C	10,0 mm	6,0 – 8,0 mm
AW15C	14,5 mm	8,0 – 12,0 mm
AW19C	19,0 mm	12,0 – 17,0 mm

* recommended diameter range

CUSTOMIZED DESIGNS



Special designs e.g. with stainless steel insert and special forms made of plastic material complement the range of GEO's air wipes. For the drying of strips, profiles and pipes custom designs are available upon request.

GEO Reinigungstechnik GmbH

T +49 (0) 25 42 / 9555 - 290
F +49 (0) 25 42 / 9555 - 291

info@geo-reinigungstechnik.de
www.geo-reinigungstechnik.de