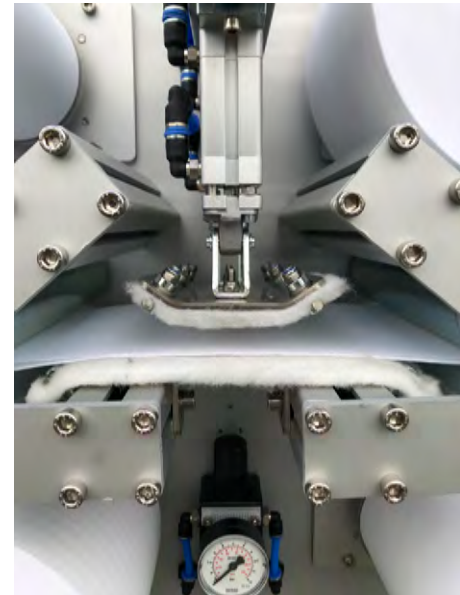


MECHANICAL CLEANING

for Wire, Strand & Strip

Wiping with nonwoven tapes

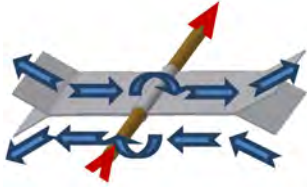
- ▶ Reduction of drawing agent residues & loosely adherent metal particles
- ▶ Dry process or with targeted dosing of liquids



Benefits at a glance:

- Small footprint
- Ideal for the surface treatment of thin wire in single- or multi-wire lines, narrow strip and small diameter tubing
- Applying and uniform distribution of very small amounts of liquids

PRIMARY WIRE WIPE SYSTEM



The patented Primary Wire Wipe System (PWW) is a compact, mechanical wiper system for the removal of visible particulate surface adhesions such as dirt and fines as

well as excess drawing agents and oils from wires, strands and strips. For cleaning, the material to be cleaned runs through two mirror-inverted, opposing strips of non-woven fabric tapes. The wires and strands are guided crosswise the two cleaning tapes. Band shaped material is guided through the non-woven tape against the running direction of the tapes.

The continuous forward movement of both cleaning tapes and the controlled contact pressure ensure a safe and comprehensive contact of the material surface to be treated with always fresh and clean nonwoven, a decisive advantage over traditional wiping methods with felt discs, sponges or rags. If they are not frequently renewed, these wiping solutions continuously collect excess drawing agents and particles, which can lead to re-contamination and, in the worst case, to surface defects due to the build-up of particles.

The standard system "PWW - SINGLE" is suitable for wires and strands up to 2.0 mm in diameter and tapes up to 120 mm wide. In the PWW - TWIN version with an additional pair of nonwoven tapes and supplemented by a vertically arranged pair of pressure plates, wire diameters of up to 4 mm can be wiped off. In connection with the gravimetric liquid feeds optionally available for all versions, this configuration can also be used for cleaning with a cleaning agent and subsequent drying.

Enclosures for connection to suction devices, monitoring of the tape feed and liquid feed or electrical integration complete the equipment options. Special designs are available on request.

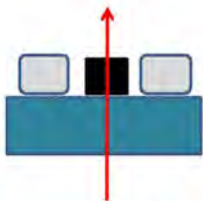
TECHNICAL DATA:

PWW - SINGLE

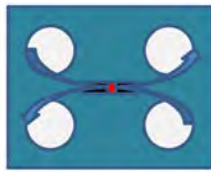
- Recommended wire-Ø range: 0,5 - 2,0 mm
- Width of band shaped material: max. 120 mm
- Max. throughput speed: 40 m/sec
- Wire centerline height: 800 - 1200 mm
- Power supply: 230 V
- Air pressure: 2,5 bar
- Dimensions (l x w): 600 x 760 mm (without options)

PWW - TWIN

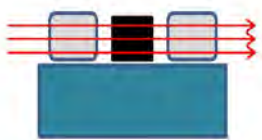
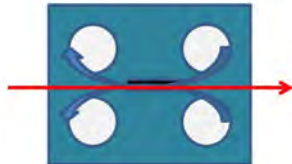
- Wire-Ø: max. 4,0 mm
- Wire centerline height: 800 - 1200 mm
- Power supply: 230 V
- Air pressure: 2,5 bar
- Dimensions (l x w): 600 x 760 mm (without options)



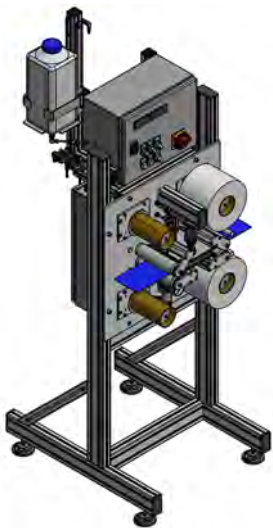
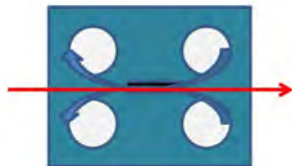
Wire running direction with opposing nonwoven fabric tapes (PWW - SINGLE)



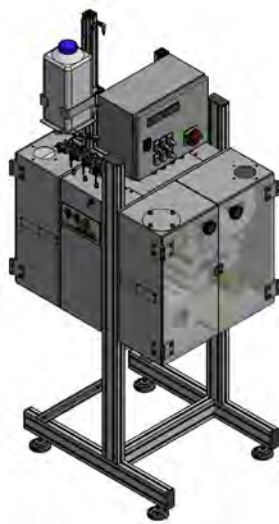
Running direction of band - shaped material. Both nonwoven tapes run against the material throughput direction (PWW - SINGLE)



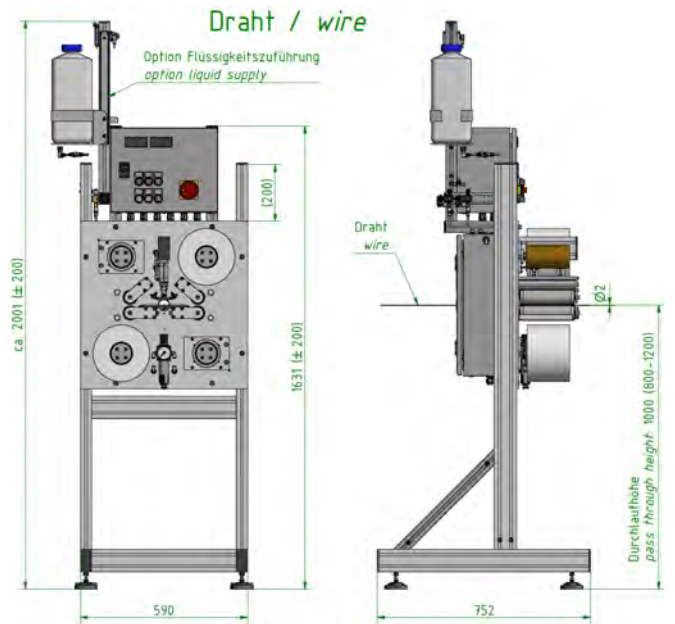
Wire running direction (multi-wire). Nonwoven tapes run against the material throughput direction.



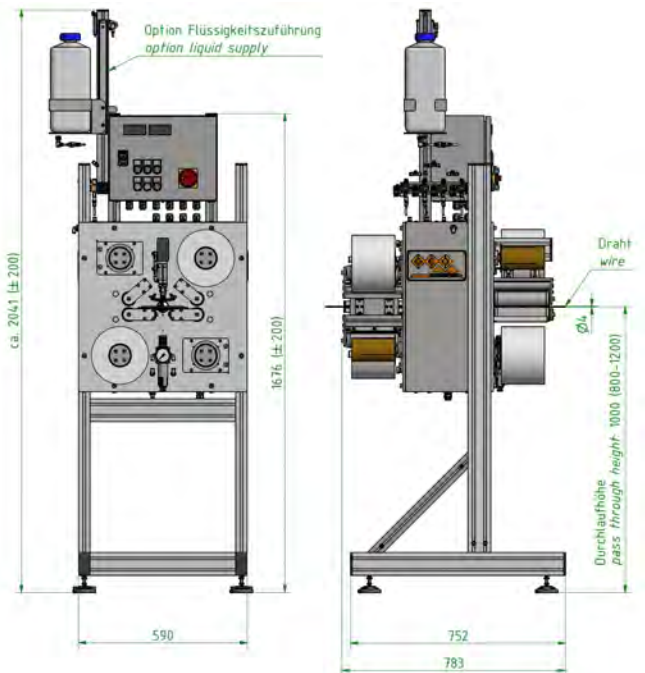
PWW - SINGLE
tape cleaning
(figure shows options)



PWW - TWIN
wire cleaning
(figure shows options)

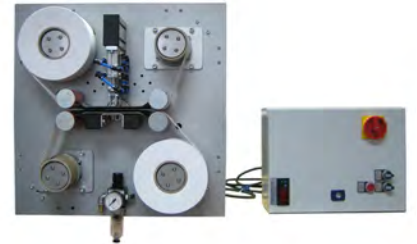
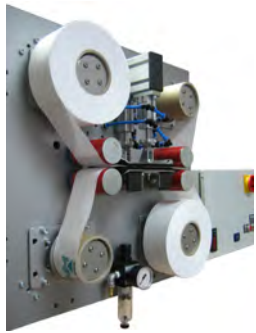


PWW - SINGLE with gravimetric liquid supply
(figure shows options)



PWW - TWIN with gravimetric liquid supply
(figure shows options)

PWW EXECUTION EXAMPLE



GEO-Reinigungstechnik GmbH

T +49(0)25 42 / 9555 - 290
F +49(0)25 42 / 9555 - 291

E info@geo-reinigungstechnik.de
I www.geo-reinigungstechnik.de